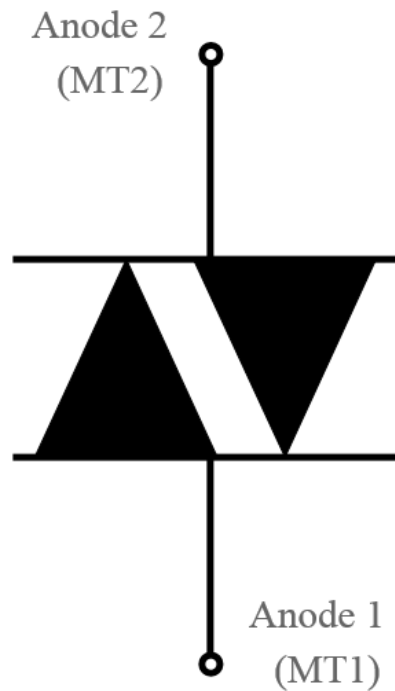
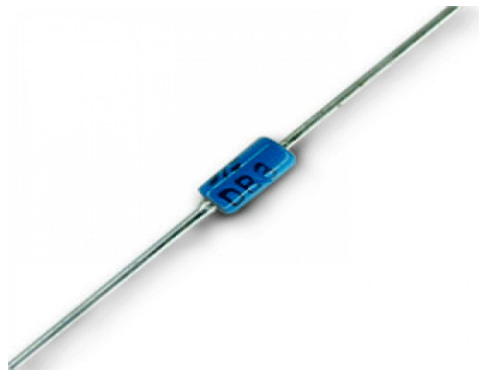


## What is DIAC?

A DIAC is a bi-directional semiconductor switch that can be turned on in both forward and reverse polarities above a certain voltage.

### SYMBOL AND IMAGE:



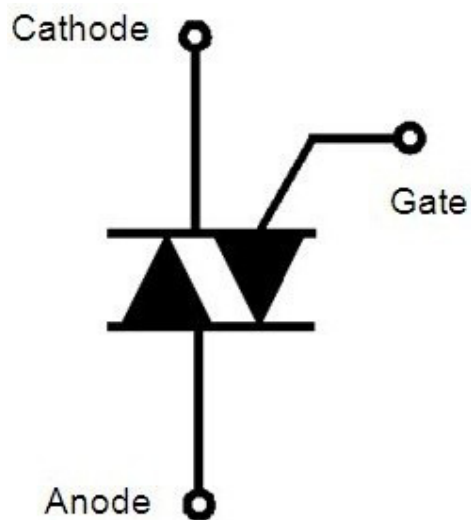


## What is TRIAC?

TRIAC is a three terminal electronic component that conducts current in either direction when triggered. Its formal name is bidirectional triode thyristor or bilateral triode thyristor.

**Pin configuration:** anode, gate and cathode.

### SYMBOL AND IMAGE:



**BTA 16-600b (16 AMP TRIAC)**